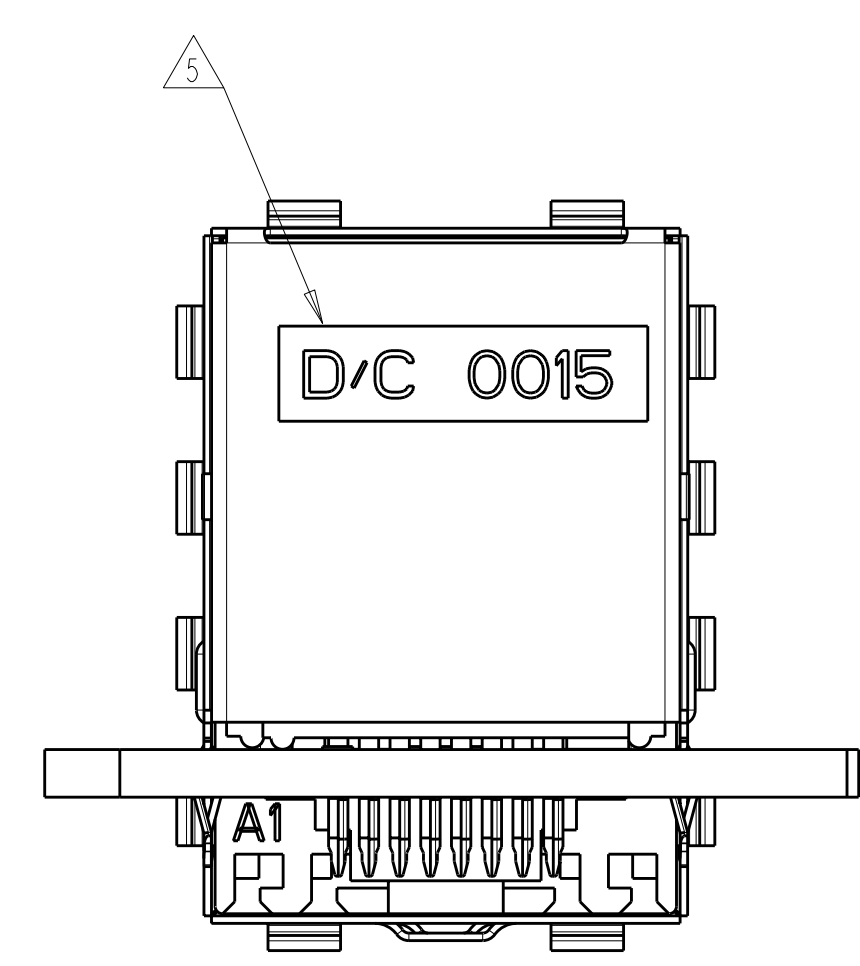
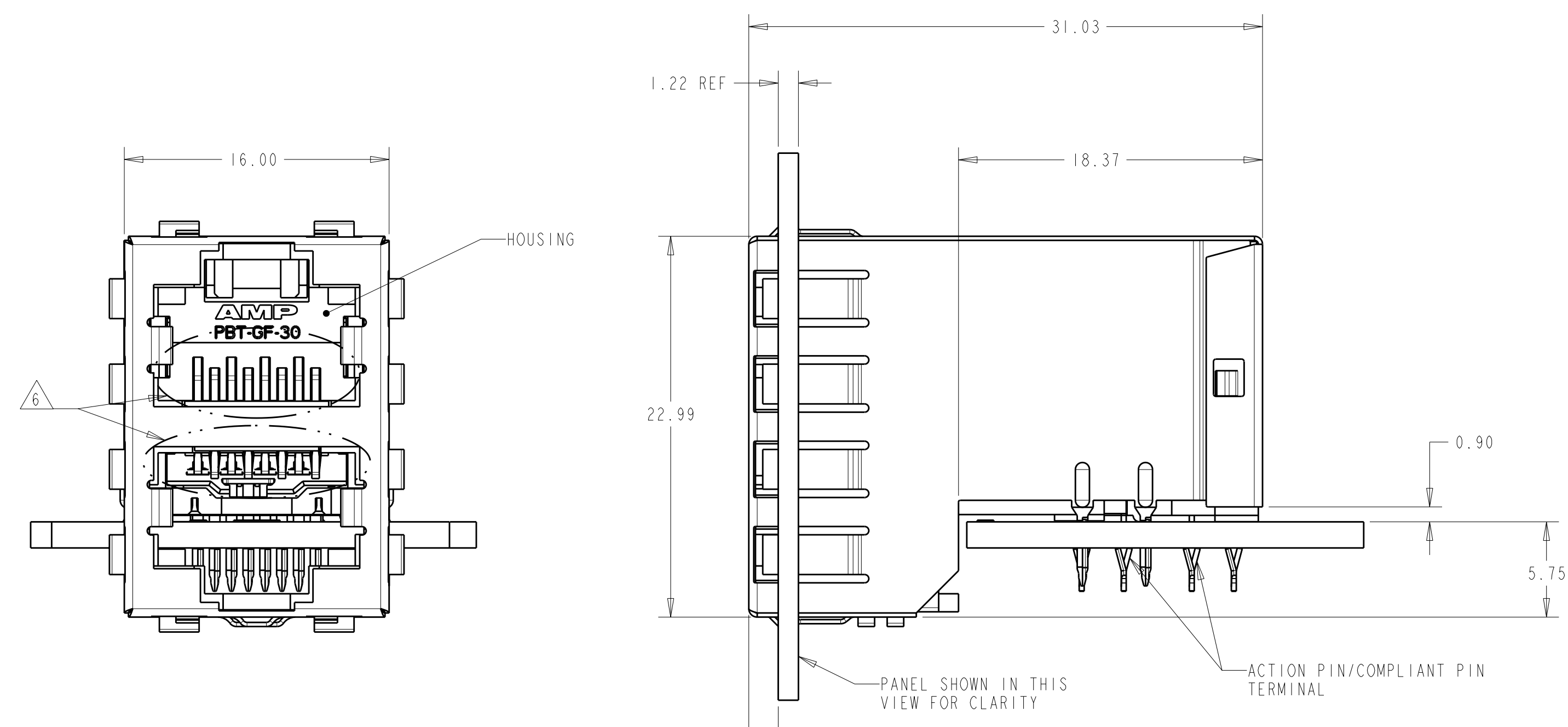
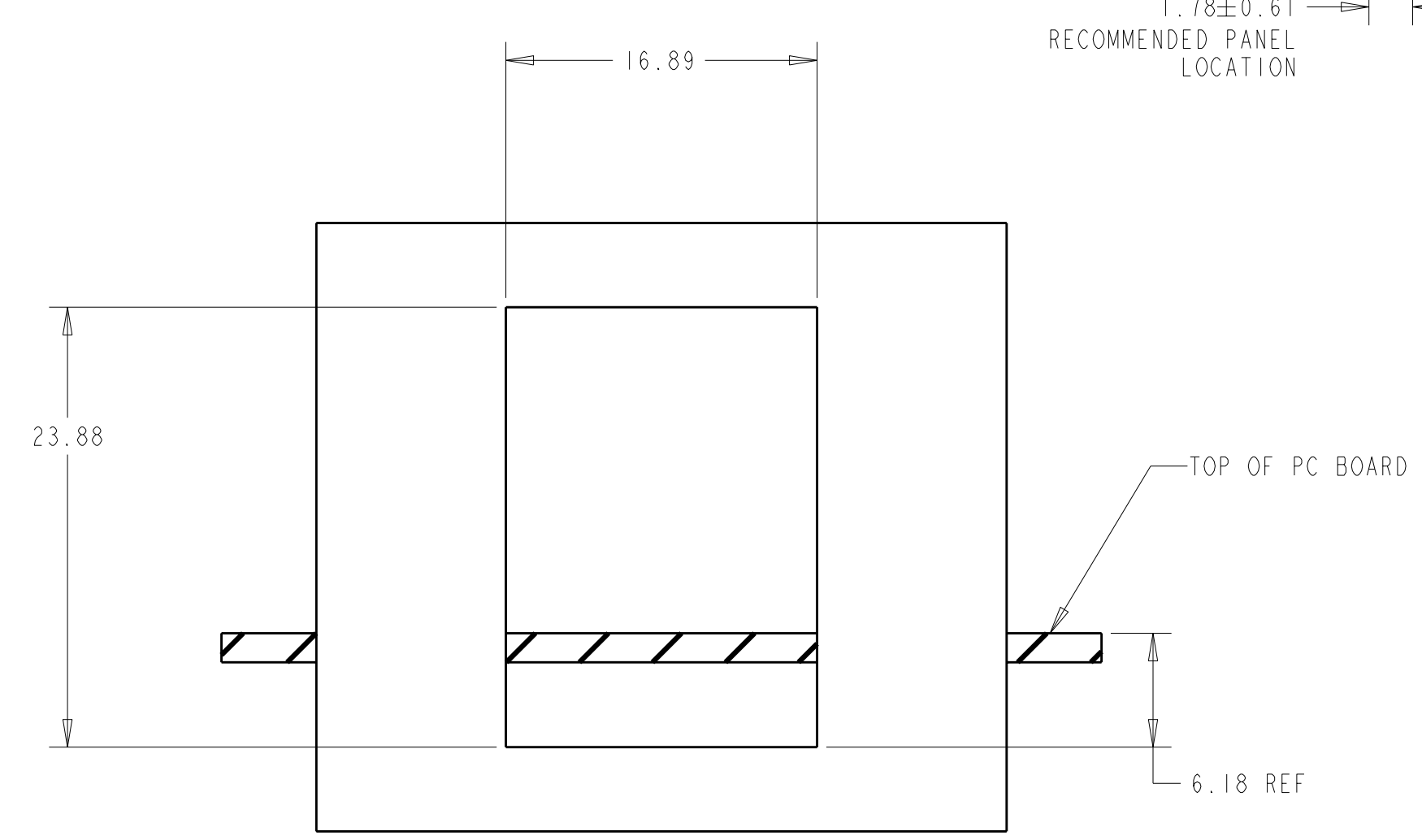


| LOC | DIST | REV | DATE | BY | APPD |
|-----|------|-----|-----------|----|------|
| AA | 00 | F1 | 13FEB2012 | JJ | AC |



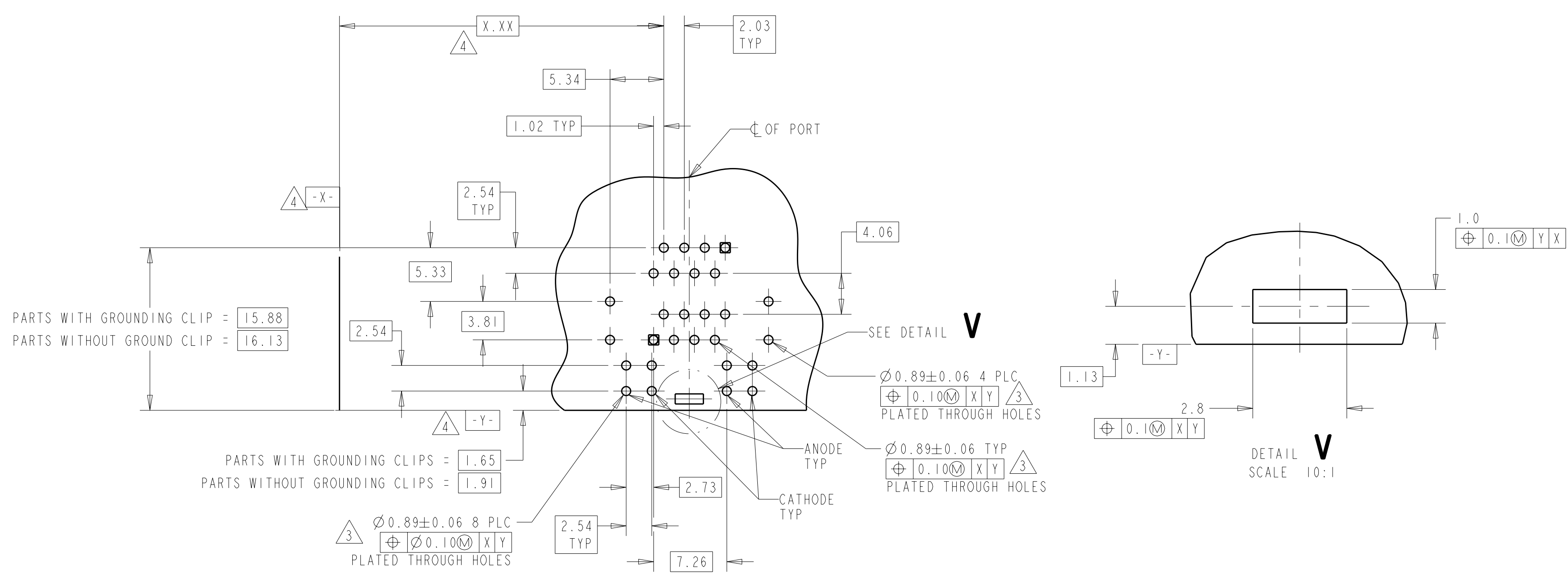
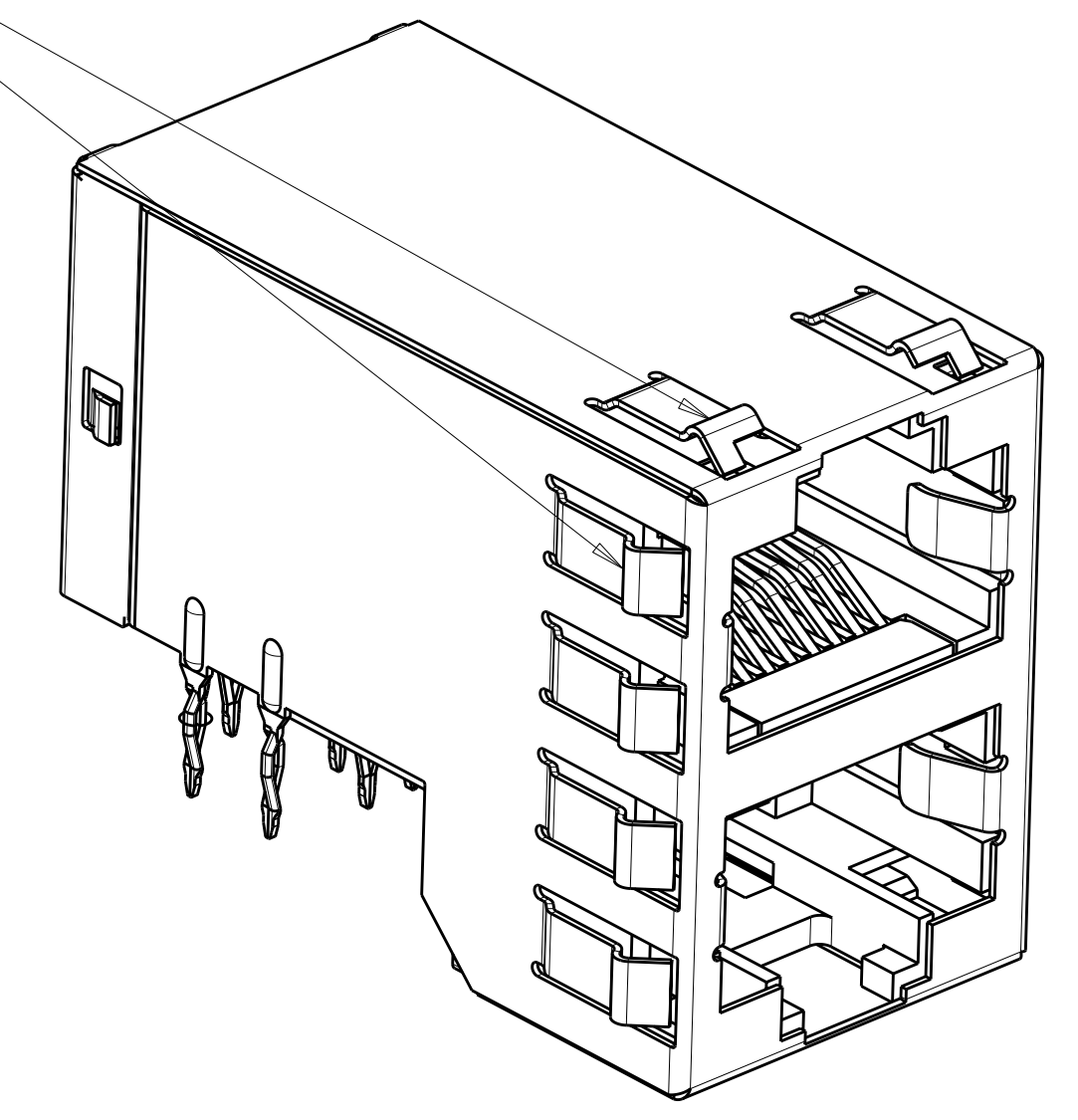
- MATERIAL:
 HOUSING - PBT POLYESTER, BLACK, UL 94V-0
 TERMINALS - 0.33 THICK PHOS BRONZE PLATED WITH 1.27um MINIMUM THICK HARD GOLD IN LOCALIZED AREA AND 2um MINIMUM THICK MATTE TIN IN ACTION PIN COMPLIANT PIN TERMINAL AREA OVER 1.27um MINIMUM THICK NICKEL UNDERPLATE
 SHIELD - 0.25 THICK COPPER ALLOY PLATED WITH 2.03um MINIMUM BRIGHT TIN OVER 1.27um MINIMUM NICKEL
 GROUNDING CLIP - 2.03 um MIN MATTE TIN OVER COPPER, PRE-PLATED COPPER ALLOY
 LED - DIFUSED EPOXY LENS 2.29 um SILVER OVER NICKEL PRE-PLATED CARBON STEEL LEADS
 ACTION PIN - COMPLIANT PIN CONTACTS 0.3 THICK BRASS PLATED WITH 2-4um BRIGHT TIN.
- JACK CAVITY CONFORMS TO FCC RULES AND REGULATIONS, PART 68 SUBPART F.
- DRILLED HOLE DIA = 1.020±0.025
 COPPER THICKNESS = 0.025±0.075
 TIN-LEAD THICKNESS = .008
- DATUMS AND BASIC DIMENSIONS ESTABLISHED BY CUSTOMER
- DATE CODE LOCATED ON REAR OF PART APPROXIMATELY AS SHOWN
- CONTACTS ARE NOT INTENDED TO BE ALIGNED WITH EACH OTHER
- OBsolete PARTS: OBSOLETE CIS STREAMLINING PER D.RENAUD/D.SINISI
- ONLY FOR 6368168-7, -8
 CONTACT AREA LUBRICATED WITH BELLCORE APPROVED LUBRICANT TECHNICAL REFERENCE GR-1217-CORE ISSUE 1, NOVEMBER 1995.

6368168-1 SHOWN SHEET 1



RECOMMENDED PANEL CUT-OUT

SHIELD WITH NO LED CUTOUTS AND STANDARD PANEL GROUNDS



PC BOARD LAYOUT (COMPONENT SIDE)

| LED #4 | LED #3 | LED #2 | LED #1 | GROUNDING CLIP | SHIELD STYLE | PART NUMBER |
|--------|--------|--------|--------|----------------|-------------------|-------------|
| N/A | N/A | N/A | N/A | NO | WITHOUT LED PORTS | 6368168-8 |
| GREEN | GREEN | GREEN | GREEN | NO | WITH LED PORTS | 6368168-7 |
| GREEN | GREEN | YELLOW | YELLOW | YES | WITH LED PORTS | 6368168-6 |
| GREEN | GREEN | GREEN | GREEN | YES | WITH LED PORTS | 6368168-5 |
| YELLOW | YELLOW | GREEN | GREEN | YES | WITH LED PORTS | 6368168-4 |
| N/A | N/A | N/A | N/A | YES | WITHOUT LED PORTS | 6368168-2 |
| N/A | N/A | N/A | N/A | NO | WITHOUT LED PORTS | 6368168-1 |

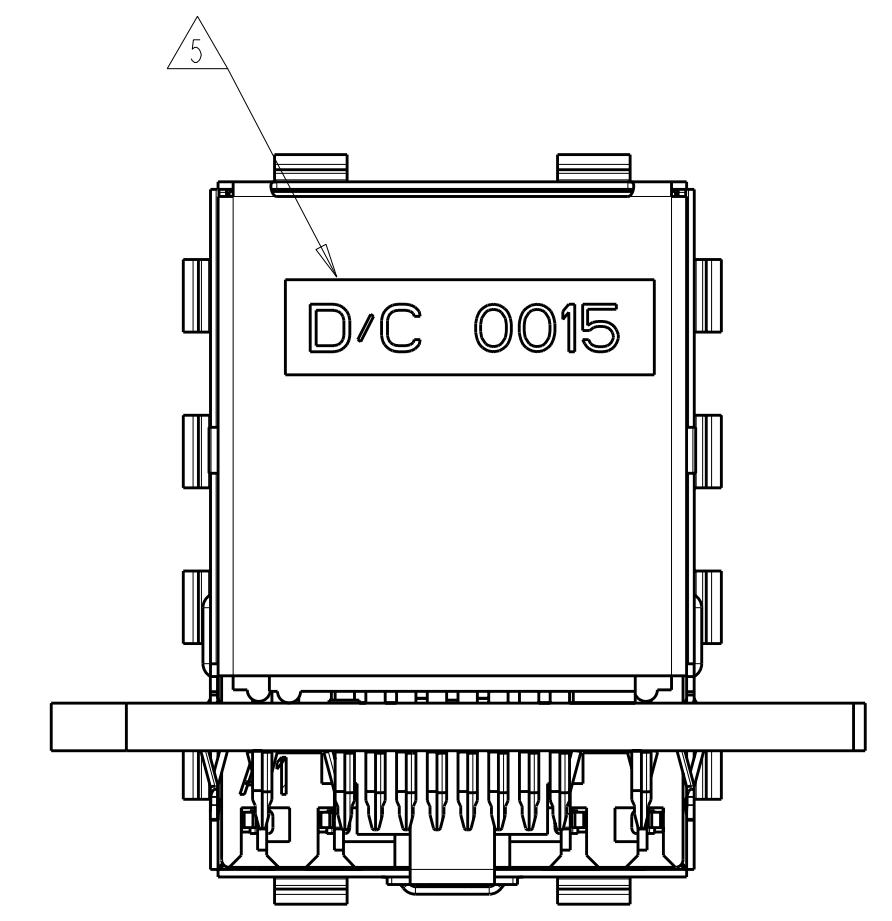
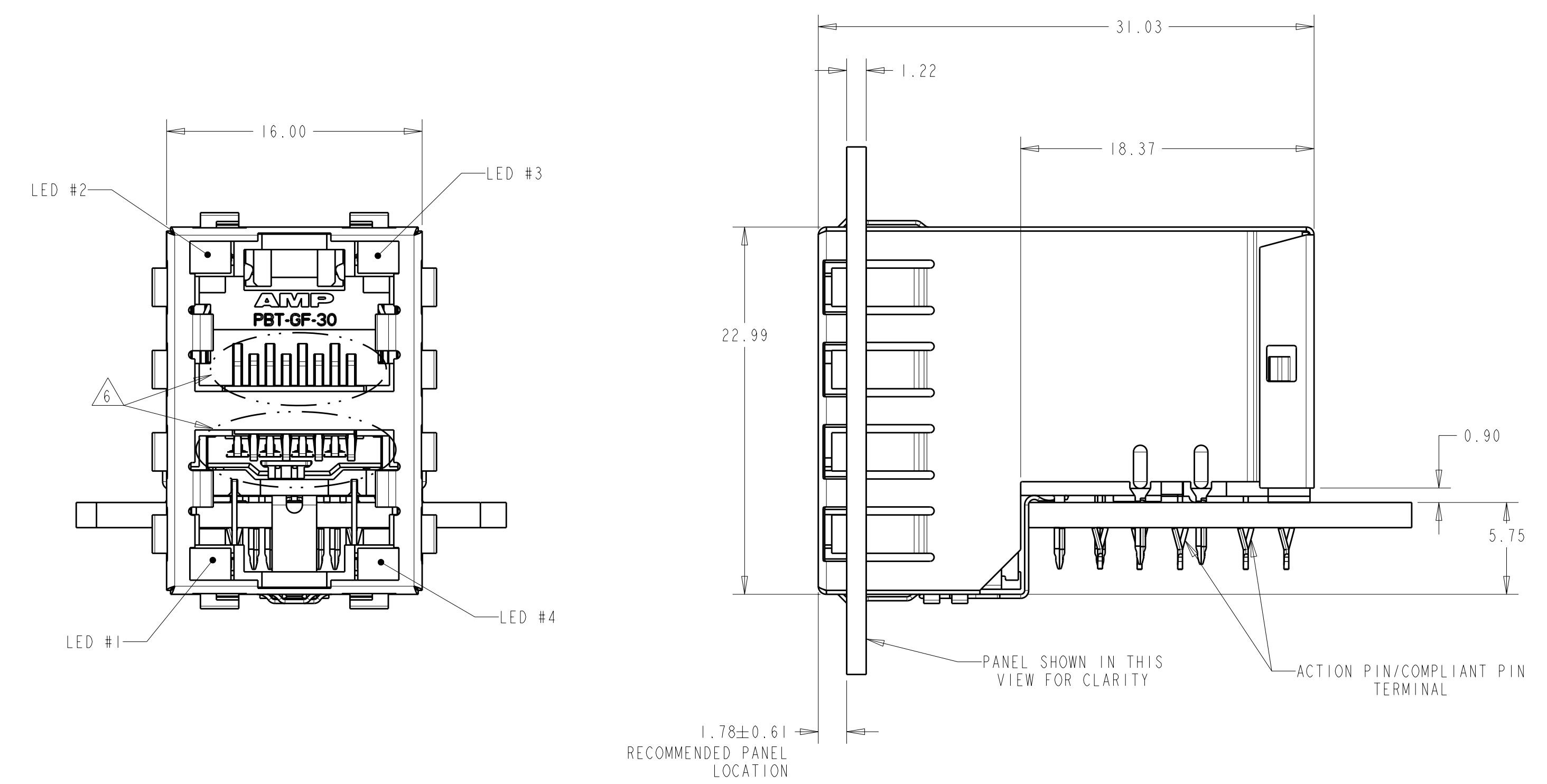
THIS DRAWING IS A CONTROLLED DOCUMENT.

DIMENSIONS: mm
 TOLERANCES UNLESS OTHERWISE SPECIFIED:
 9 PLC ±
 1 PLC ±0.1
 5 PLC ±0.13
 4 PLC ±
 ANGLES ±
 FINISH SEE NOTE 1

DWN: A. FERNANDEZ-DOCK 28 JUL 2005
 CHK: J. WESTMAN 28 JUL 2005
 APVD: S. FLICKINGER 28 JUL 2005
 NAME: STACKED MODULAR JACK ASSEMBLY, 2X1, 8 POSITION, SHIELDED PANEL GROUND, OFFSET, CAT 5
 PRODUCT SPEC: 108-1854
 APPLICATION SPEC: 114-2160
 WEIGHT: -
 CUSTOMER DRAWING

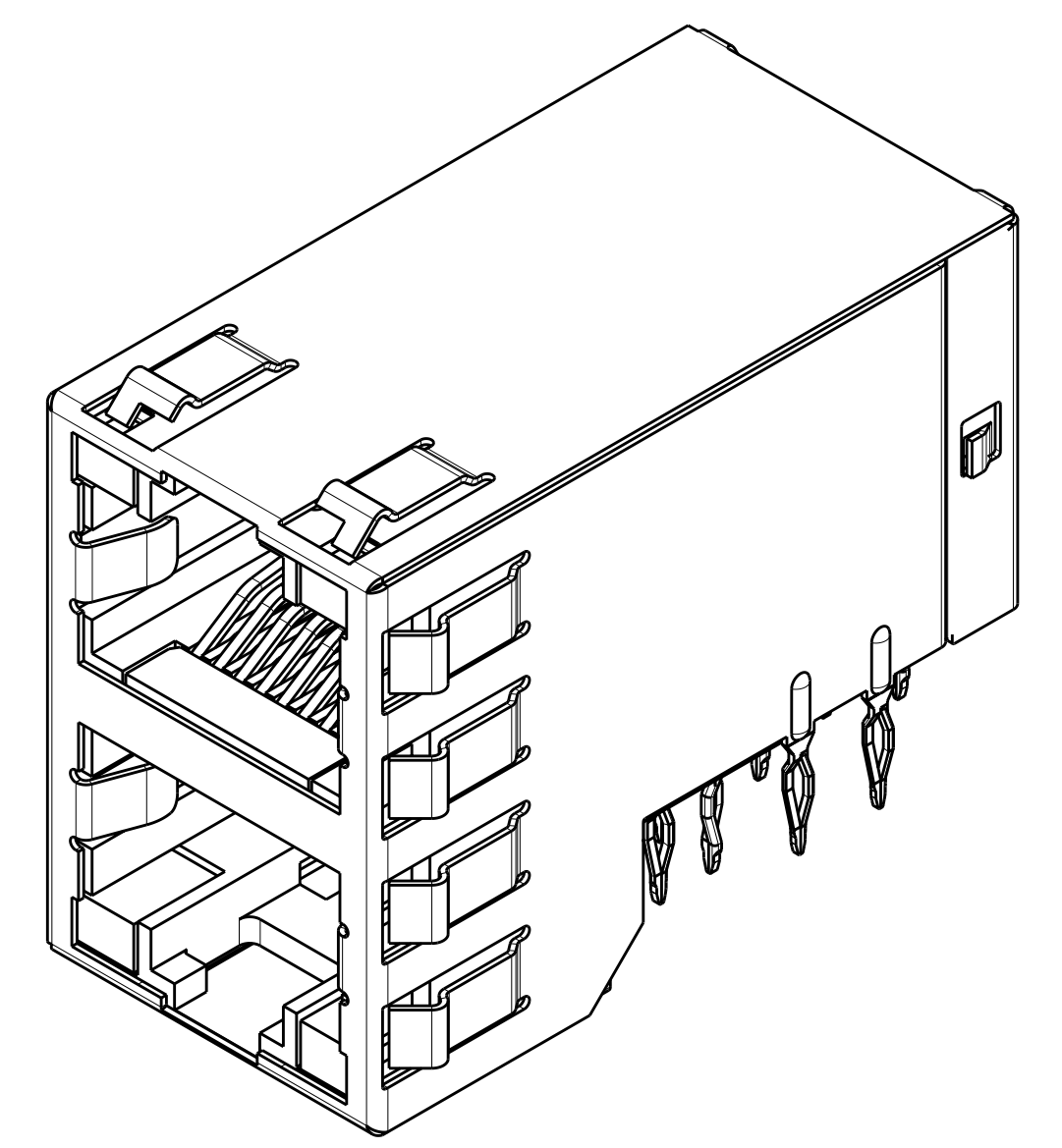
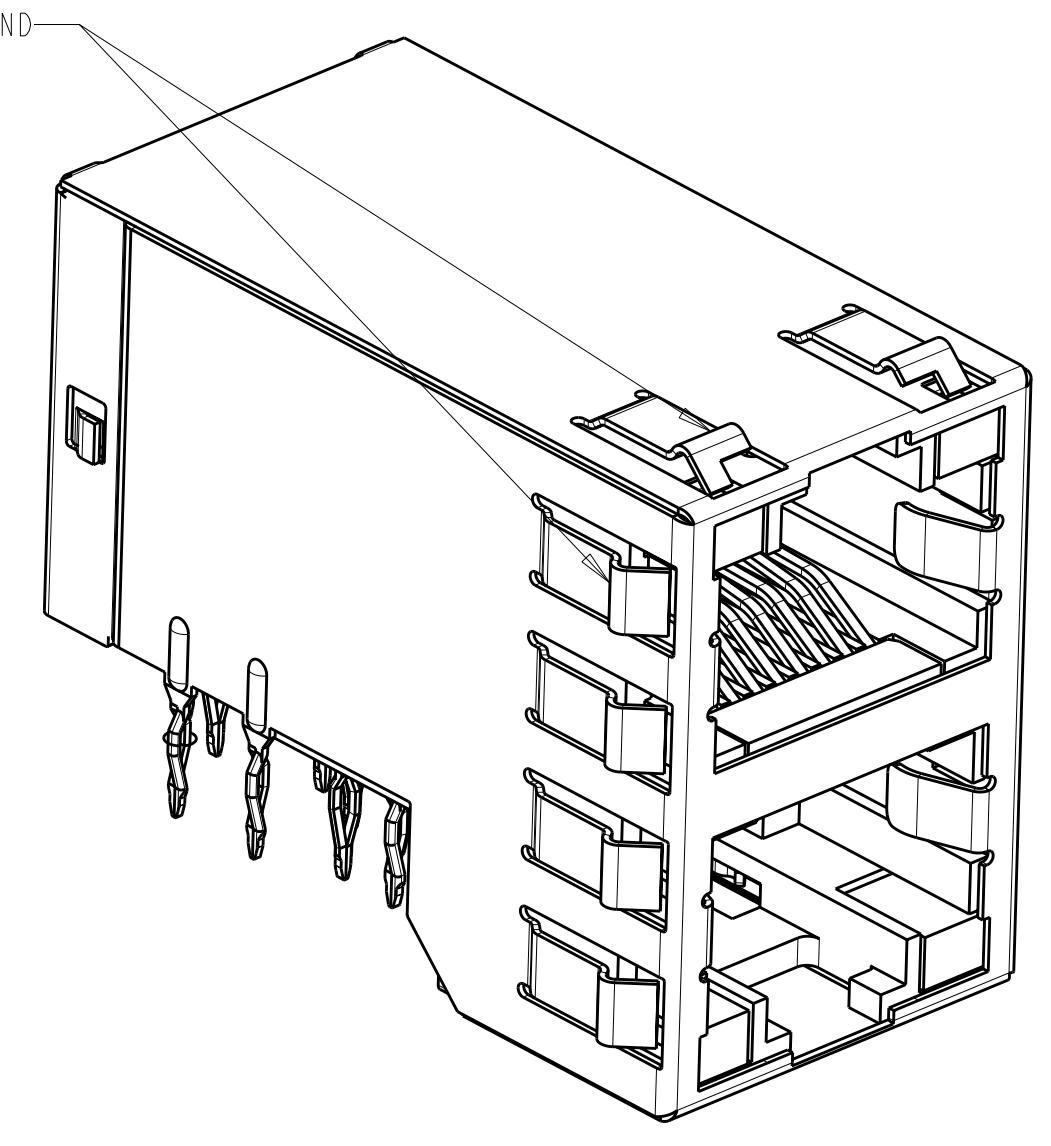
SCALE: 3:1
 SHEET: 1 OF 2
 REV: F1

| LOC | DIST | REVISIONS | | | |
|-----|------|-----------|-------------|----|------|
| AA | 00 | REV | DATE | BY | APPD |
| | | 1 | SEE SHEET 1 | | |



6368168-6 SHOWN SHEET 2

SHIELD WITH LED CUTOUTS AND STANDARD PANEL GROUNDS



| | | | |
|--|--|---------------------------------------|--|
| THIS DRAWING IS A CONTROLLED DOCUMENT. | | OWN: 28 JUL 2005 A. FERNANDEZ-DOCK | TE Connectivity |
| DIMENSIONS: mm | | CHK: 28 JUL 2005 J. WESTMAN | |
| TOLERANCES UNLESS OTHERWISE SPECIFIED: | | APVD: 28 JUL 2005 S. FLICKINGER | NAME: STACKED MODULAR JACK ASSEMBLY, 2X1, 8 POSITION, SHIELDED PANEL GROUND, OFFSET, CAT 5 |
| 9 PLC ± 7 PLC ± 5 PLC ±0.13 4 PLC ± | | PRODUCT SPEC: 108-1854 | SIZE: A1 |
| MATERIAL: SEE NOTE 1 | | APPLICATION SPEC: 114-2160 | CAGE CODE: 00779 |
| FINISH: SEE NOTE 1 | | WEIGHT: - | DRAWING NO: C-6368168 |
| | | CUSTOMER DRAWING | RESTRICTED TO: - |
| | | SCALE: 3:1 | SHEET: 2 OF 2 |
| | | | REV: - |